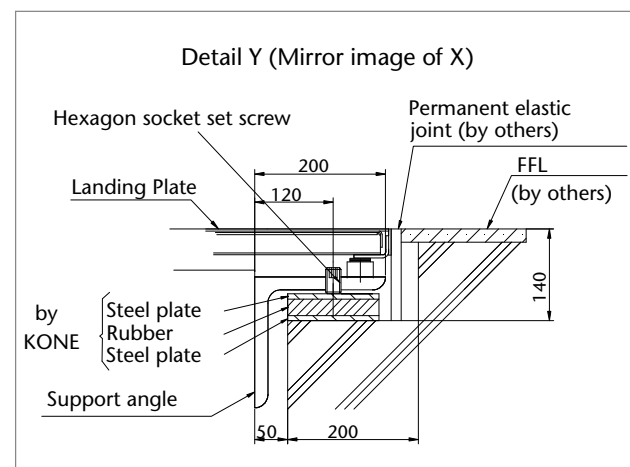
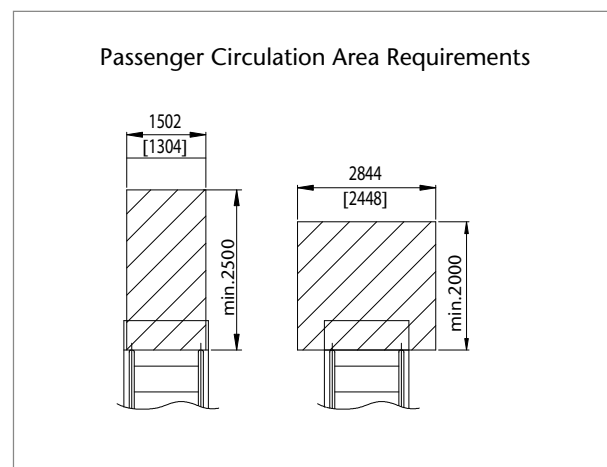
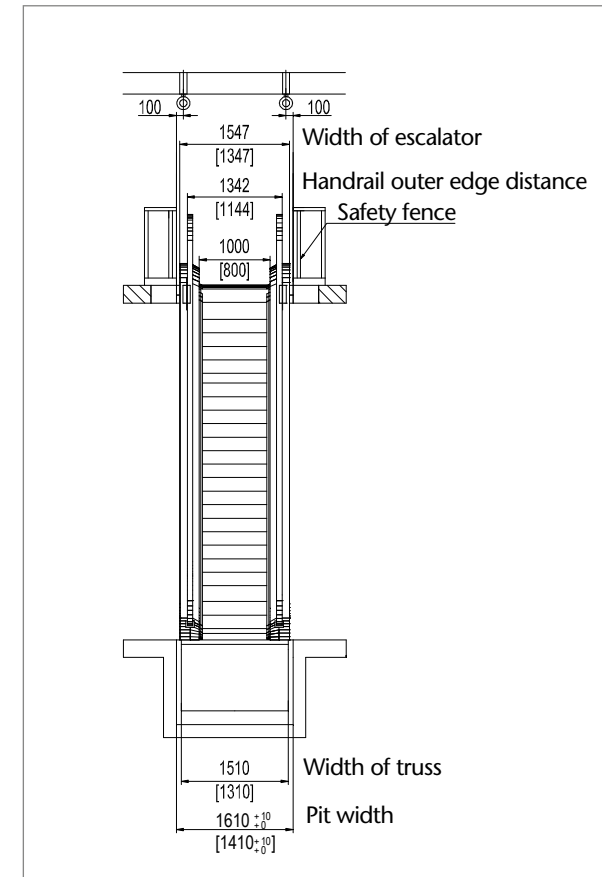
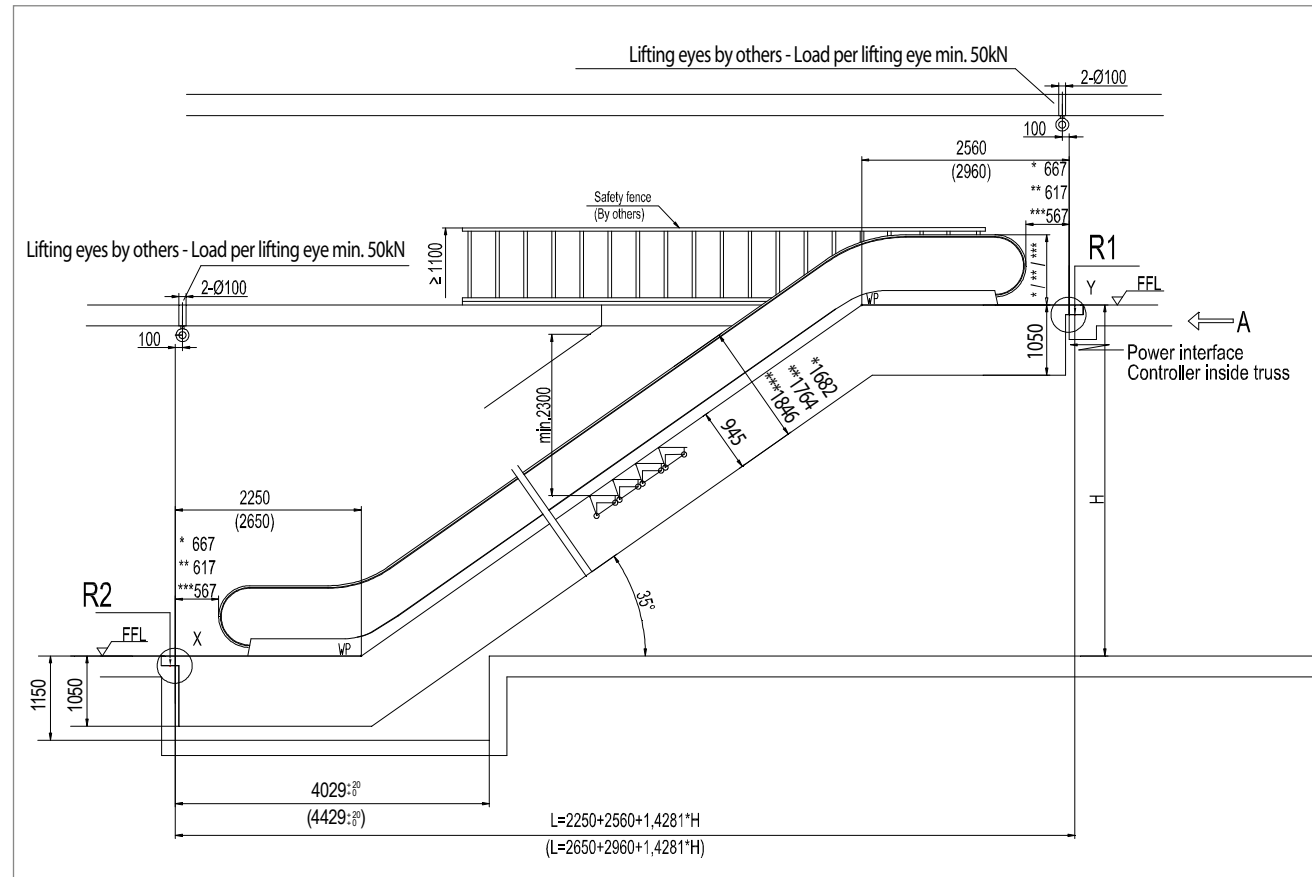


KONE TravelMaster™ 110 planning dimensions

Architectural planning data

35° inclination / 1.0 transition radii / 2 or 3 horizontal steps at each landing / vertical rise up to 6 m

Code: EN 115-1:2008 + A1:2010¹⁾



- All dimensions are in millimeters
- Maximum vertical rise: H = 6000 mm
- Upper truss extension maximum 800 mm
- Lower truss extension maximum 800 mm
- Additional cladding material maximum 15 kg/m²
- (XXX) = Three horizontal steps
 - * = Balustrade height 900 mm
 - ** = Balustrade height 1000 mm
 - *** = Balustrade height 1100 mm
- [XXX] = Step width 800 mm
- For escalator with step width of 600 mm please contact your KONE sales office

Reaction force (kN)				
	800 mm step width		1000 mm step width	
2 or 3 steps	R1=4.5L/1000+10	R2=4.5L/1000+2	R1=5L/1000+12	R2=5L/1000+3

¹⁾ Other local codes dimensional requirements are available upon request, please contact your local KONE Sales representative for more information.

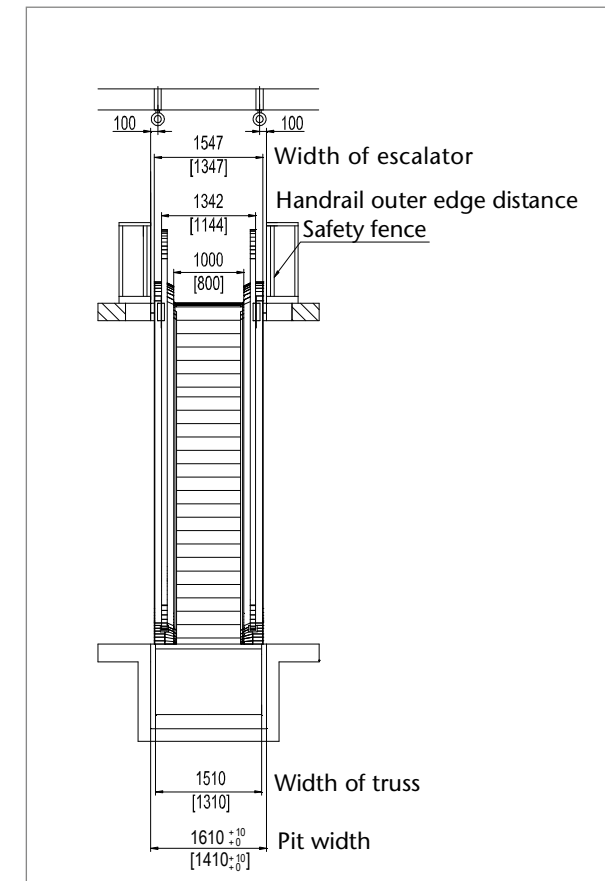
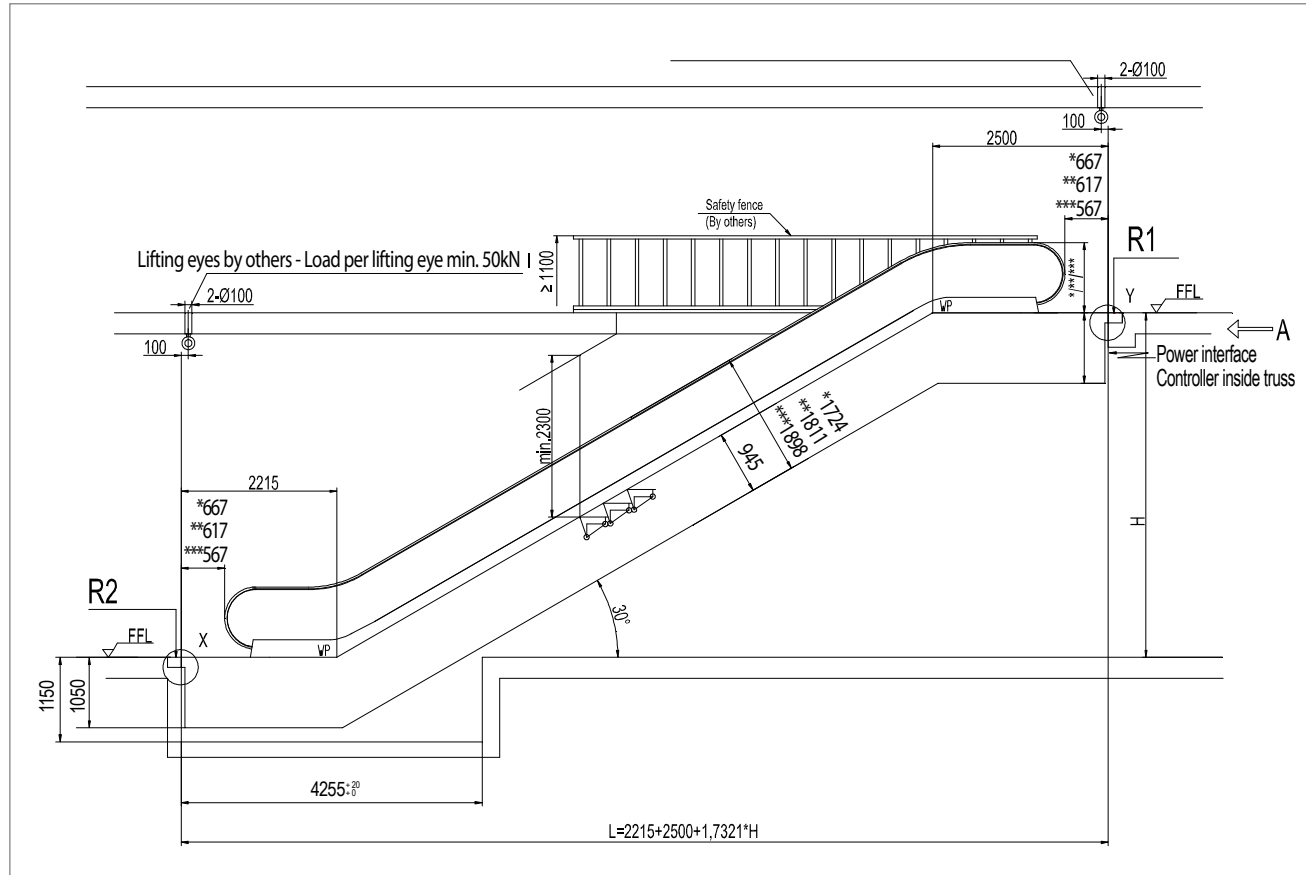
Note:
If you would like to obtain the exact dimensions for your specific project, we recommend you use the Escalator Design Tools, which can be found on www.kone.com.

KONE TravelMaster™ 110 planning dimensions

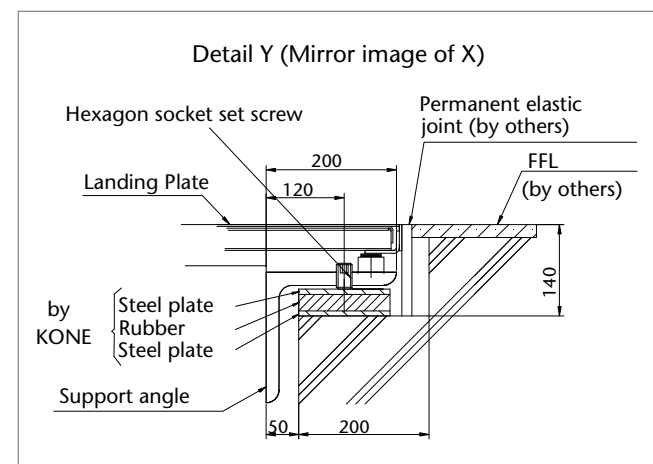
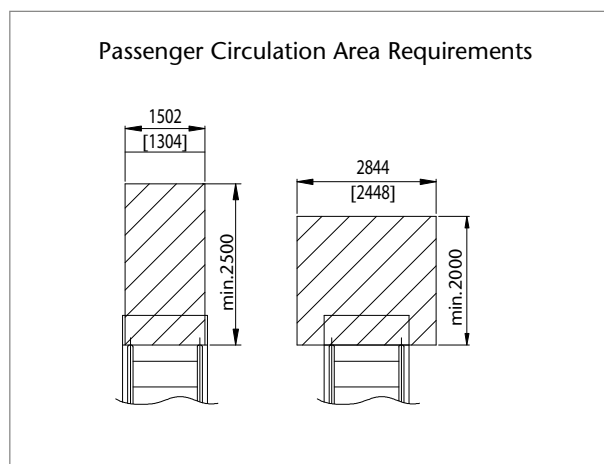
Architectural planning data

30° inclination / 1.0 transition radii / 2 horizontal steps at each landing / vertical rise up to 6 m

Code: EN 115-1:2008 + A1:2010¹⁾



- All dimensions are in millimeters
- Maximum vertical rise: H = 6000 mm
- Upper truss extension maximum 800 mm
- Lower truss extension maximum 800 mm
- Intermediate support starting from L > 16400 mm
- Additional cladding material maximum 15 kg/m²
 - * = Balustrade height 900 mm
 - ** = Balustrade height 1000 mm
 - *** = Balustrade height 1100 mm
- [XXX] = Step width 800 mm
- For escalator with step width of 600 mm please contact your KONE sales office



Position of intermediate support	
Span (mm)	L1, M (mm)
16400 < L <= 16708	$L1 = (a1 * 1200 + 887) * 0.866 + 945 * 0.5 + 2215$ $a1 = \text{Round}(\{(0.5 * L - 2215) / 0.866 - 887\} / 1200, 0)$

	Reaction force (kN)			
	800 mm step width		1000 mm step width	
2 steps	R1=4.5L/1000+10	R2=4.5L/1000+2	R1=5L/1000+12	R2=5L/1000+3

¹⁾ Other local codes dimensional requirements are available upon request, please contact your local KONE Sales representative for more information.

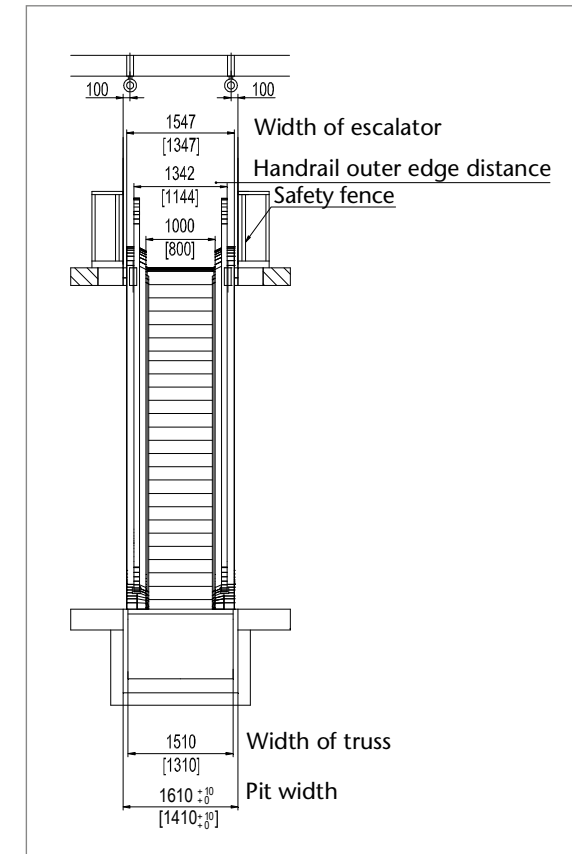
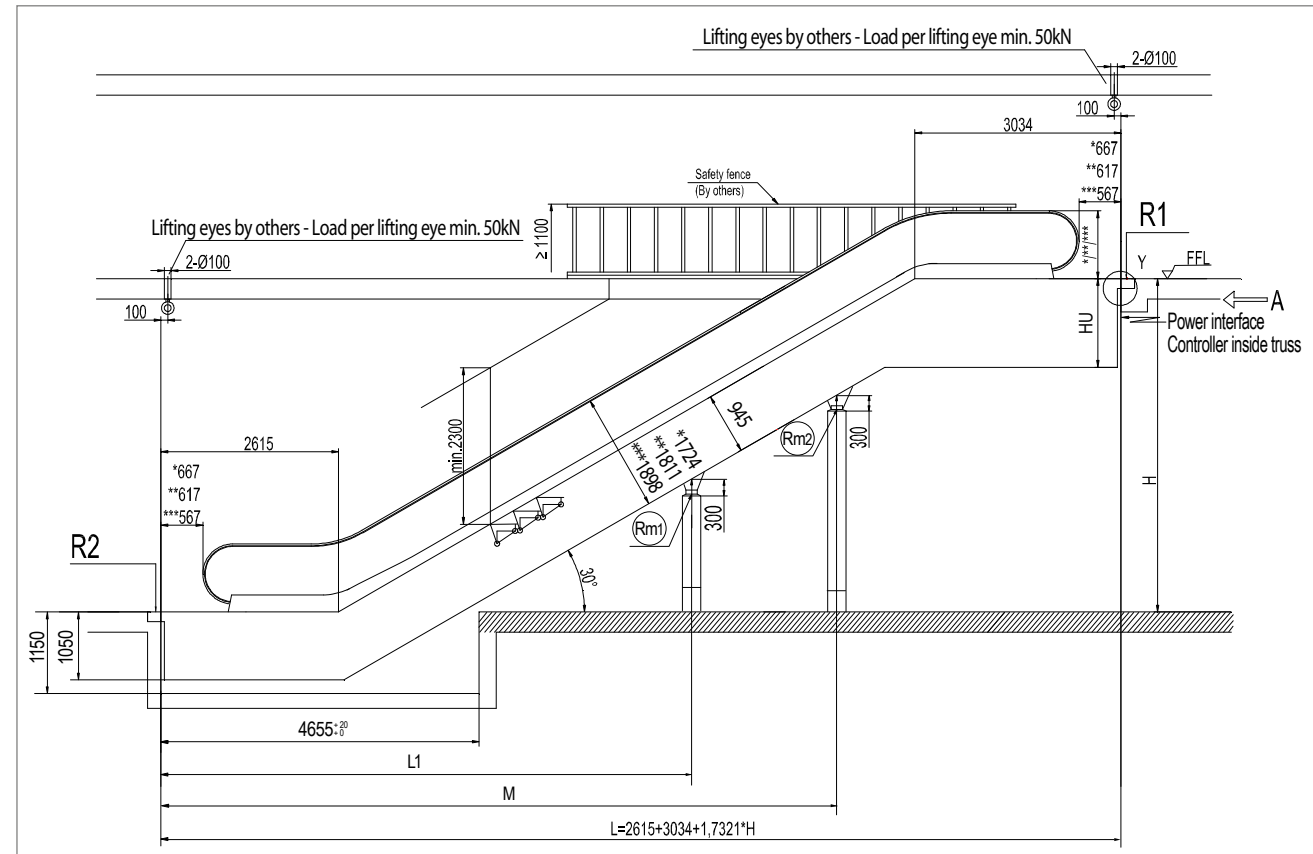
Note:
If you would like to obtain the exact dimensions for your specific project, we recommend you use the Escalator Design Tools, which can be found on www.kone.com.

KONE TravelMaster™ 110 planning dimensions

Architectural planning data

30° inclination / 1.5 transition radii / 3 horizontal steps at each landing / vertical rise up to 13 m

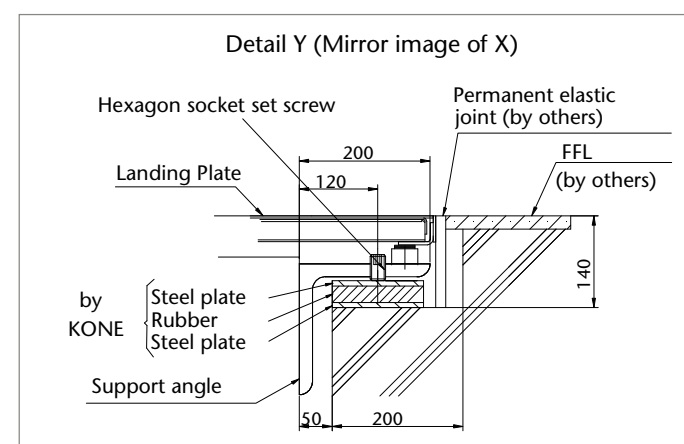
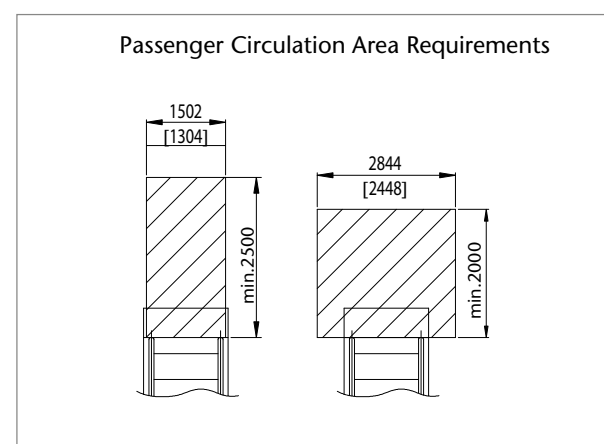
Code: EN 115-1:2008 + A1:2010¹⁾



- All dimensions are in millimeters
- Maximum vertical rise: H = 13 m
- Upper truss extension maximum 800 mm
- Lower truss extension maximum 800 mm
- Intermediate support starting from L > 16400 mm
- Additional cladding material maximum 15 kg/m²
 - * = Balustrade height 900 mm
 - ** = Balustrade height 1000 mm
 - *** = Balustrade height 1100 mm
- [XXX] = Step width 800 mm
- For escalator with step width of 600 mm please contact your KONE sales office
- Truss extensions are required when either the rise requires the use of double drives or the use of an inverter. For these dimensions please contact your local sales organization.

Note:
There is a possibility of having an escalator without intermediate support however a reinforced truss is required. Please contact KONE for more dimensional information.

If you would like to obtain the exact dimensions for your specific project, we recommend you use the Escalator Design Tools, which can be found on www.kone.com.



	Reaction force (kN)			
	800 mm step width		1000 mm step width	
Without intermediate support L ≤ 16400	R1=4.5L/1000+10	R2=4.5L/1000+2	R1=5L/1000+12	R2=5L/1000+3
With one intermediate support 16400 < L ≤ 30000	R1=4.5(L-L1)/1000+10	R2=4.5L1/1000+2	R1=5(L-L1)/1000+12	R2=5L1/1000+3
	RM1=4.5L/1000+6		RM1=5L/1000+8	
With two intermediate supports 30000 < L ≤ 45000	R1=4.5(L-M)/1000+15	R2=4.5L1/1000+3.5	R1=5(L-M)/1000+15	R2=5L1/1000+4
	RM1=6.1M/1000	RM2=6.1(L-L1)/1000	RM1=6.8M/1000	RM2=6.8(L-L1)/1000

Position of intermediate support	
Span (mm)	L1, M (mm)
16400 < L ≤ 19330	L1=9053
19330 < L ≤ 21410	L1=10092
21410 < L ≤ 23704	L1=11131
23704 < L ≤ 30000	L1=(a1*1200+887)*0.866+945*0.5+2615 a1=Round{[(0.5*L-2615)/0.866-887]/1200,0}
30000 < L ≤ 45000	L1=(a1*1200+887)*0.866+945*0.5+2615 M=(a2*1200+887)*0.866+945*0.5+2615 a1=Round{[(0.333*L-2615)/0.866-887]/1200,0} a2=Round{[(0.667*L-2615)/0.866-887]/1200,0}

Truss depth of upper head	
Condition	HU
H ≤ 6000 & speed=0.5	1050
H > 6000, or speed>0.5	1300

¹⁾ Other local codes dimensional requirements are available upon request, please contact your local KONE Sales representative for more information.